



FUNDICIÓ DÚCTIL BENITO
Tel. 93 852 10 00

Tube pole brackets

DESIGNER:

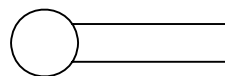
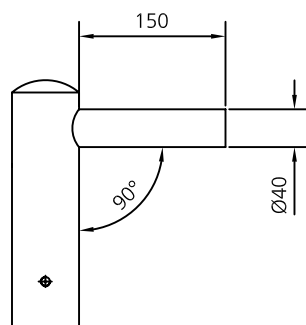
MANUFACTURER: © Fundicio Ductil Benito

COTES: mm

SCALE: 1/8

IRAP15S04

REFERENCE



DESCRIPTION: Pole brackets.

MATERIAL: Made of galvanized steel with heta-galvanized finishes and optional print coating and cast-iron textured polyurethane coating.

FIXING: Luminaire horizontal fixing or Ø60mm pole fixing.



FUNDICIÓ DÚCTIL BENITO
Tel. 93 852 10 00

Tube pole brackets

DESIGNER:

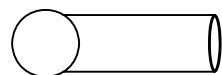
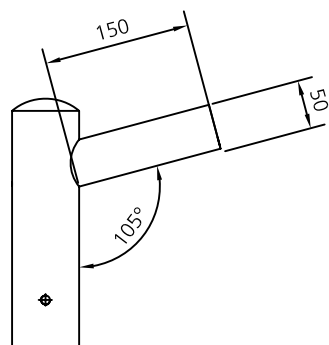
MANUFACTURER: © Fundicio Ductil Benito

COTES: mm

SCALE: 1/8

IRAP15S05

REFERENCE



DESCRIPTION: Pole brackets.

MATERIAL: Made of galvanized steel with heta-galvanized finishes and optional print coating and cast-iron textured polyurethane coating.

FIXING: Luminaire horizontal fixing or Ø60mm pole fixing.



FUNDICIÓ DÚCTIL BENITO
Tel. 93 852 10 00

Tube pole brackets

DESIGNER:

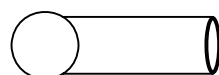
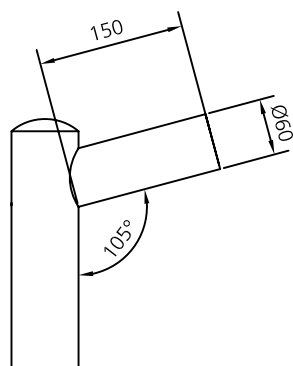
MANUFACTURER: © Fundicio Ductil Benito

COTES: mm

SCALE: 1/8

IRAP15S06

REFERENCE



DESCRIPTION: Pole brackets.

MATERIAL: Made of galvanized steel with heta-galvanized finishes and optional print coating and cast-iron textured polyurethane coating.

FIXING: Luminaire horizontal fixing or Ø60mm pole fixing.



FUNDICIÓ DÚCTIL BENITO
Tel. 93 852 10 00

Tube pole brackets

DESIGNER:

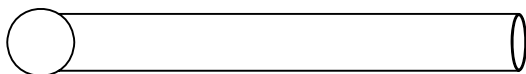
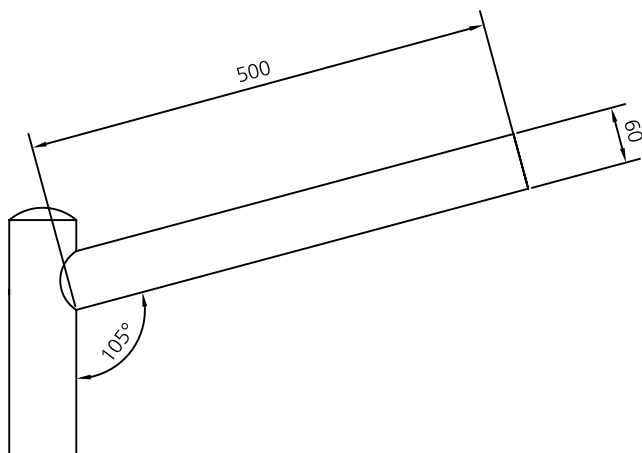
MANUFACTURER: © Fundicio Ductil Benito

COTES: mm

SCALE: 1/8

IRAP55

REFERENCE



DESCRIPTION: Pole brackets.

MATERIAL: Made of galvanized steel with heta-galvanized finishes and optional print coating and cast-iron textured polyurethane coating.

FIXING: Luminaire horizontal fixing or Ø60mm pole fixing.



FUNDICIÓ DÚCTIL BENITO
Tel. 93 852 10 00

Tube pole brackets

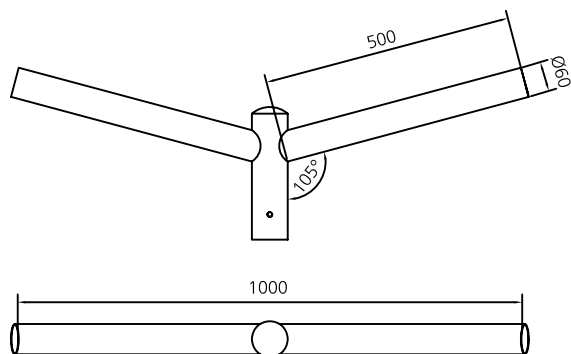
DESIGNER:

MANUFACTURER: © Fundicio Ductil Benito

COTES: mm

SCALE: 1/15

IRAP5D
REFERENCE



DESCRIPTION: Pole brackets.

MATERIAL: Made of galvanized steel with heta-galvanized finishes and optional print coating and cast-iron textured polyurethane coating.

FIXING: Luminaire horizontal fixing or Ø60mm pole fixing.



FUNDICIÓ DÚCTIL BENITO
Tel. 93 852 10 00

Tube pole brackets

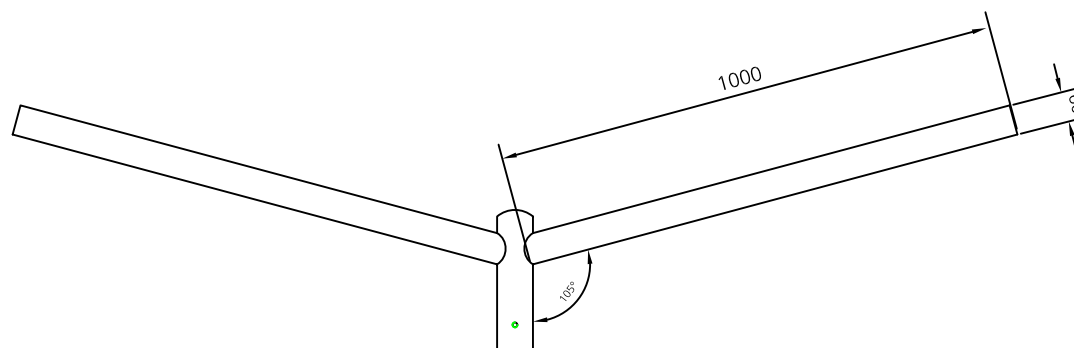
DESIGNER:

MANUFACTURER: © Fundicio Ductil Benito

COTES: mm

SCALE: 1/15

IRAP10D
REFERENCE



DESCRIPTION: Pole brackets.

MATERIAL: Made of galvanized steel with heta-galvanized finishes and optional print coating and cast-iron textured polyurethane coating.

FIXING: Luminaire horizontal fixing or Ø60mm pole fixing.



FUNDICIÓ DÚCTIL BENITO
Tel. 93 852 10 00

Tube pole brackets

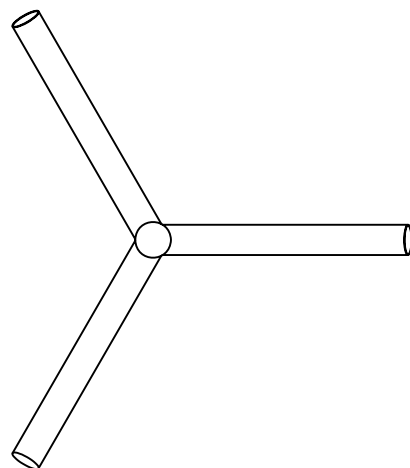
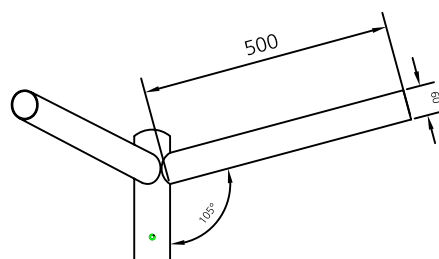
DESIGNER:

MANUFACTURER: © Fundicio Ductil Benito

COTES: mm

SCALE: 1/15

IRAP5T
REFERENCE



DESCRIPTION: Pole brackets.

MATERIAL: Made of galvanized steel with heta-galvanized finishes and optional print coating and cast-iron textured polyurethane coating.

FIXING: Luminaire horizontal fixing or Ø60mm pole fixing.



FUNDICIÓ DÚCTIL BENITO
Tel. 93 852 10 00

Tube pole brackets

DESIGNER:

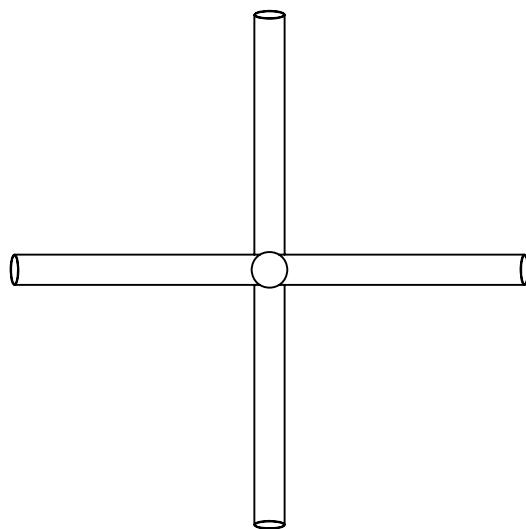
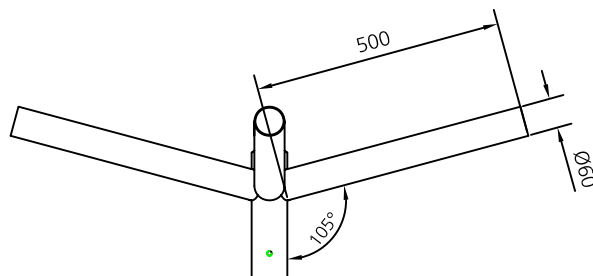
MANUFACTURER: © Fundicio Ductil Benito

COTES: mm

SCALE: 1/15

IRAP5Q

REFERENCE



DESCRIPTION: Pole brackets.

MATERIAL: Made of galvanized steel with heta-galvanized finishes and optional print coating and cast-iron textured polyurethane coating.

FIXING: Luminaire horizontal fixing or Ø60mm pole fixing.