



FUNDICIÓN DÚCTIL BENITO
Tel. 93 852 10 00

Picnic Table

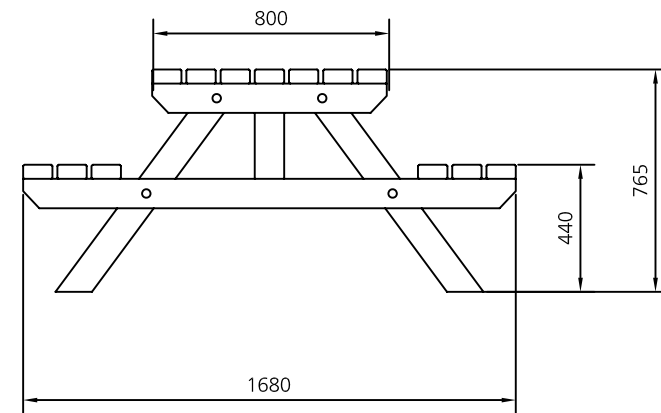
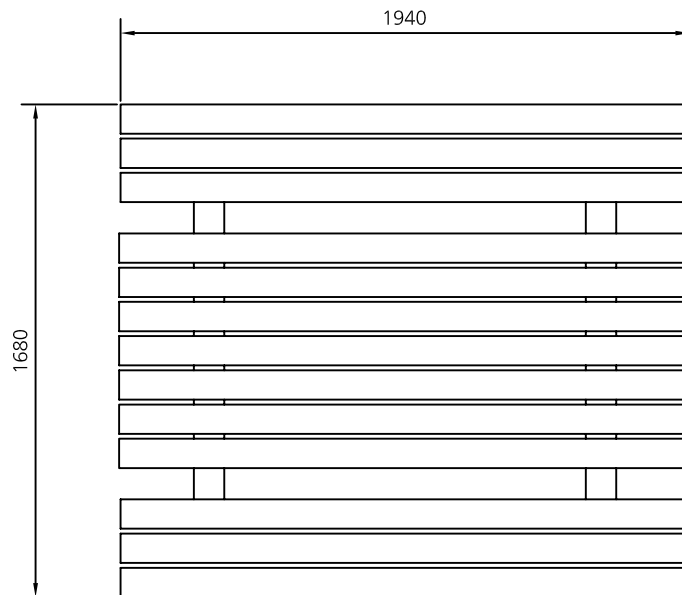
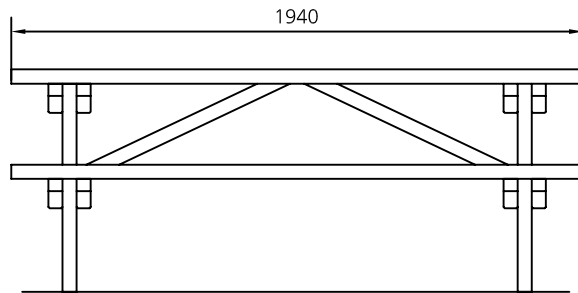
DESIGNER:

MANUFACTURER: © Fundicio Ductil Benito

DIMENSIONS: mm

SCALE: 1/25

VRM200
REFERENCE



MATERIAL: Made of pine treated wood 1940x95x45mm wooden boards.
FINISH: Made of autoclave treated wood against woodworm, termite and insect. 4 Class. Greeny colour painted.

Fundicio Ductil Benito involved with her continuous improvement line of her products, reserves the right to modify measures, materials and or finishings without prior notice.